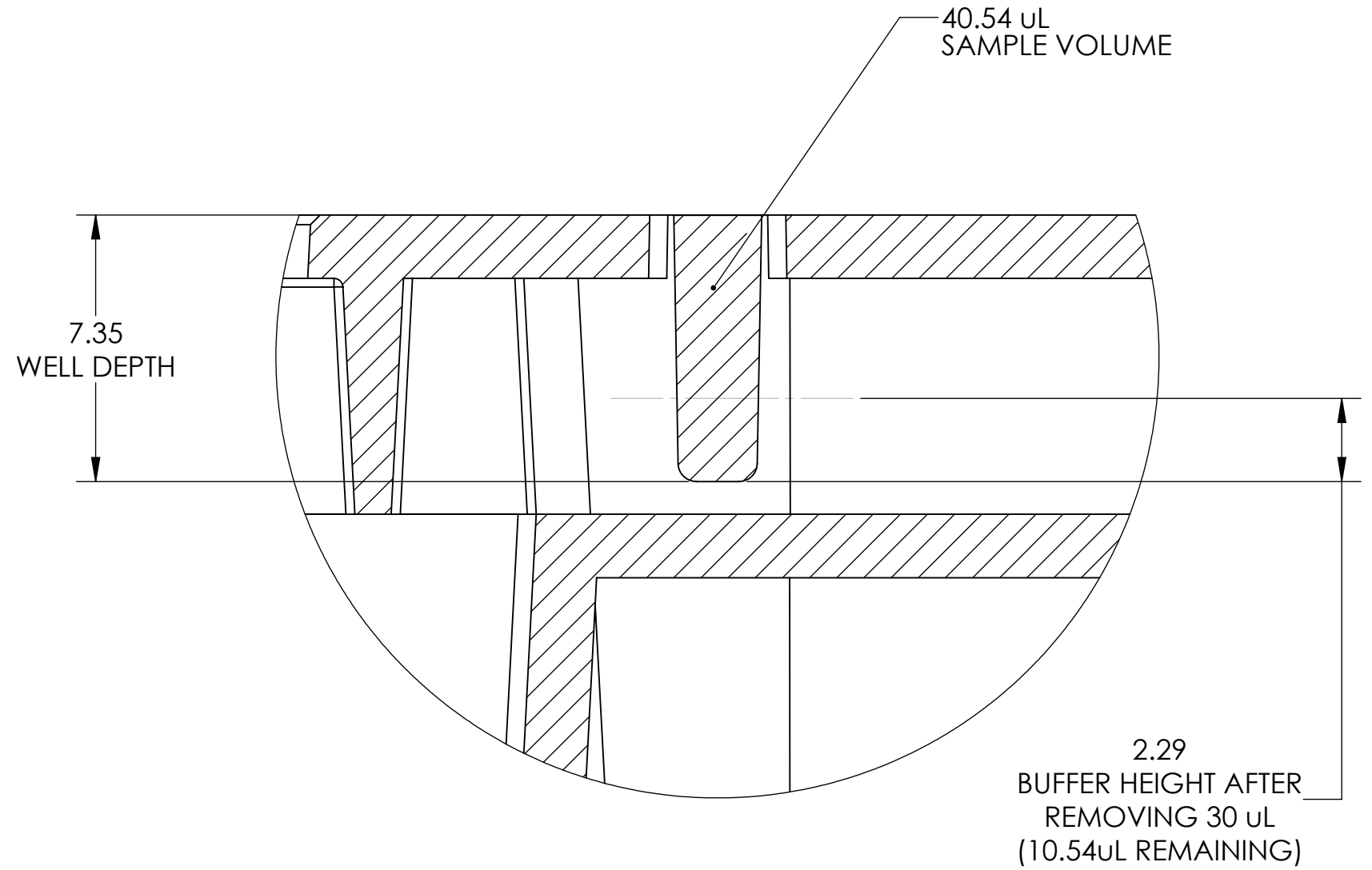
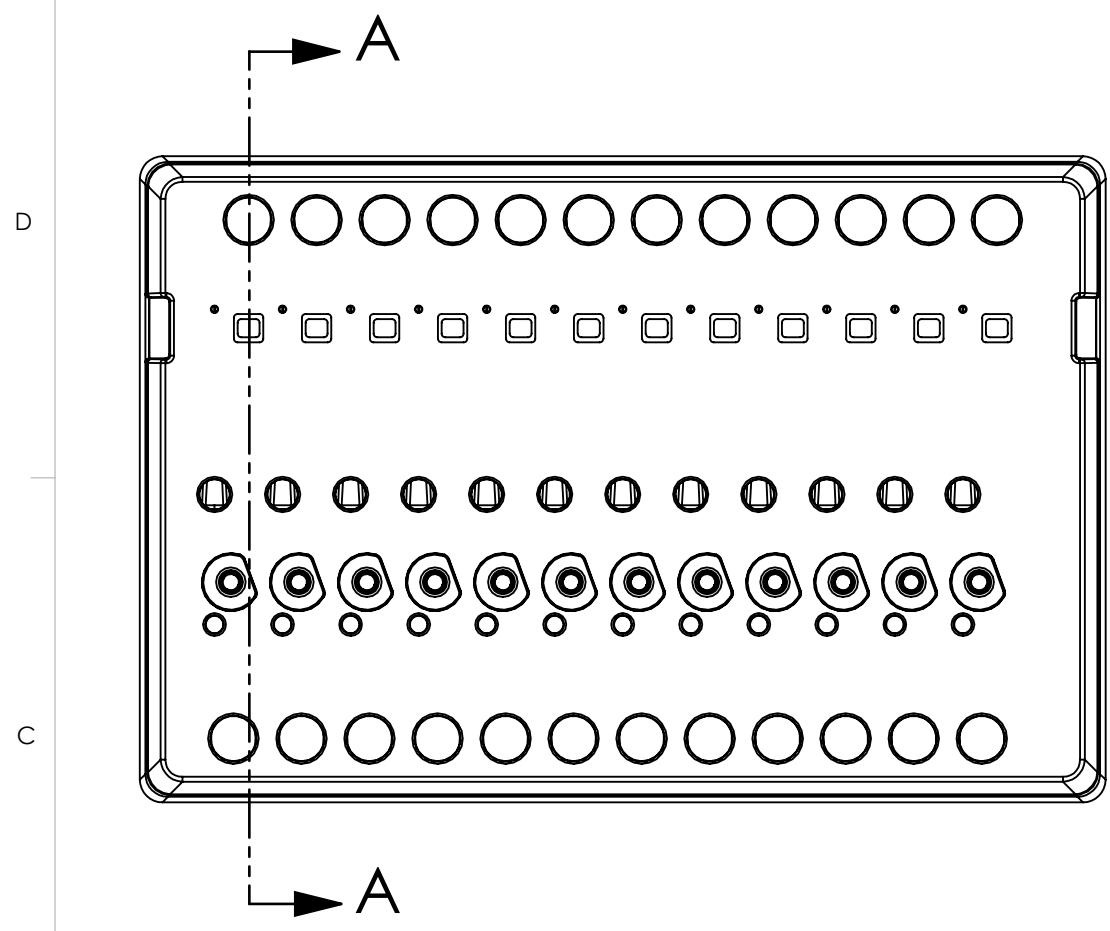
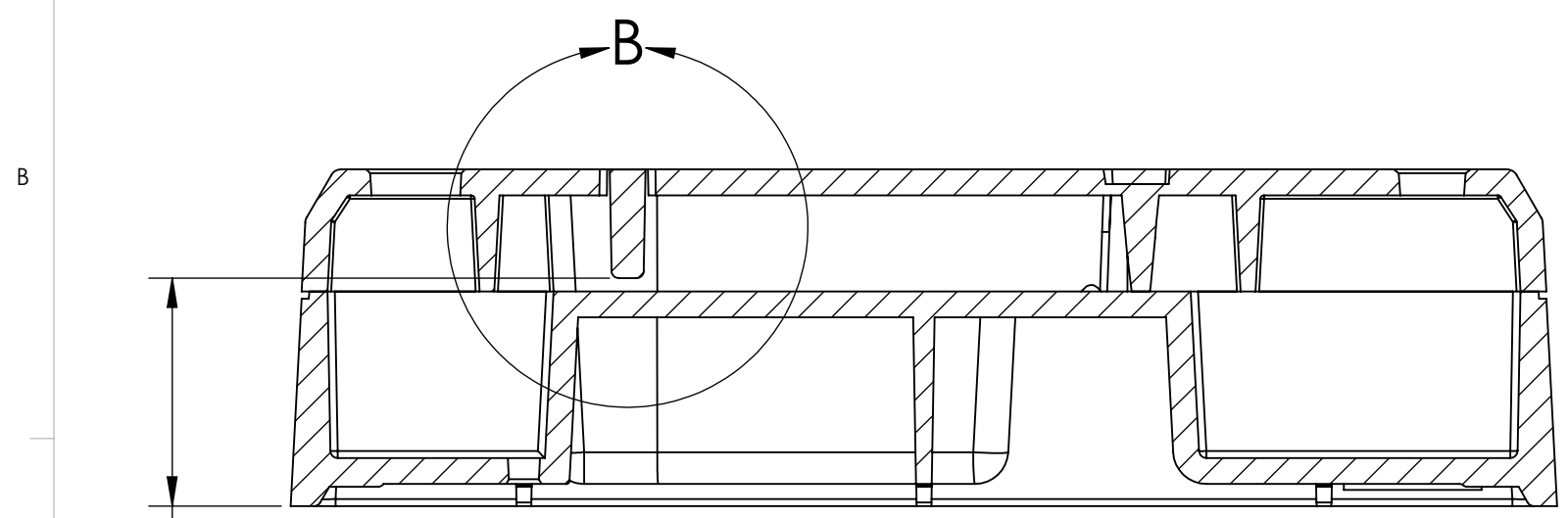


8 7 6 5 4 3 2 1



DETAIL B  
SCALE 6 : 1



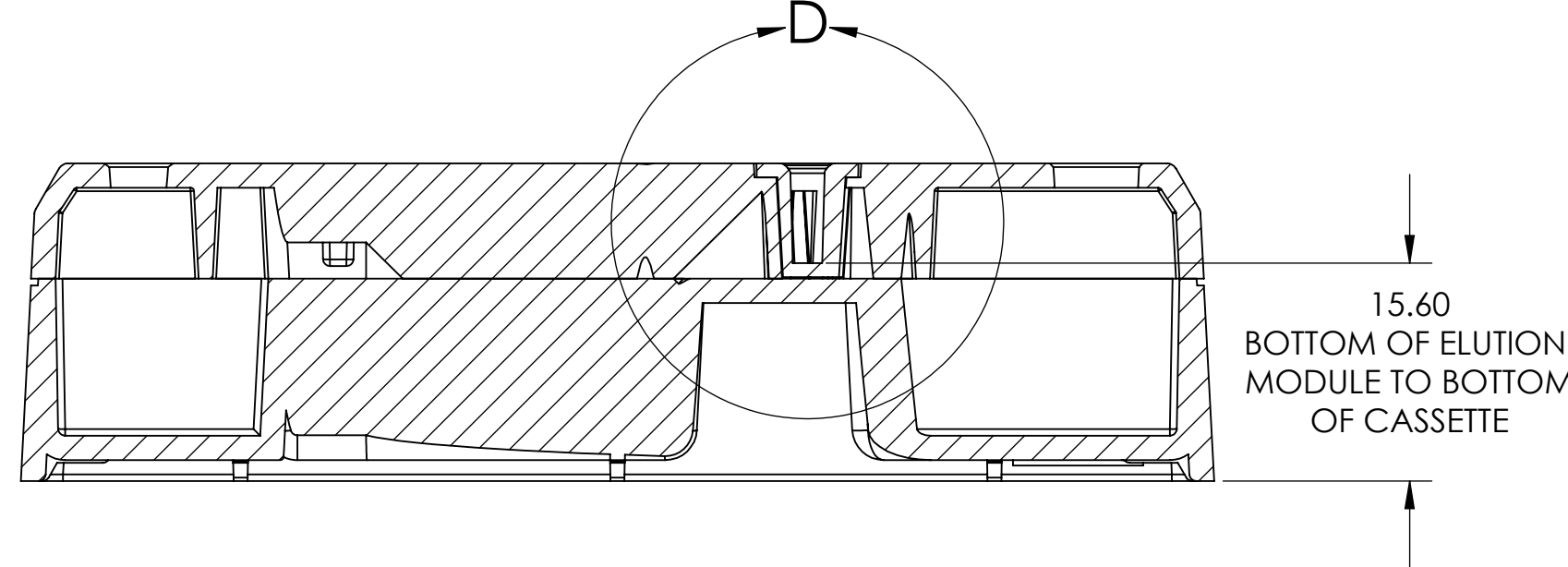
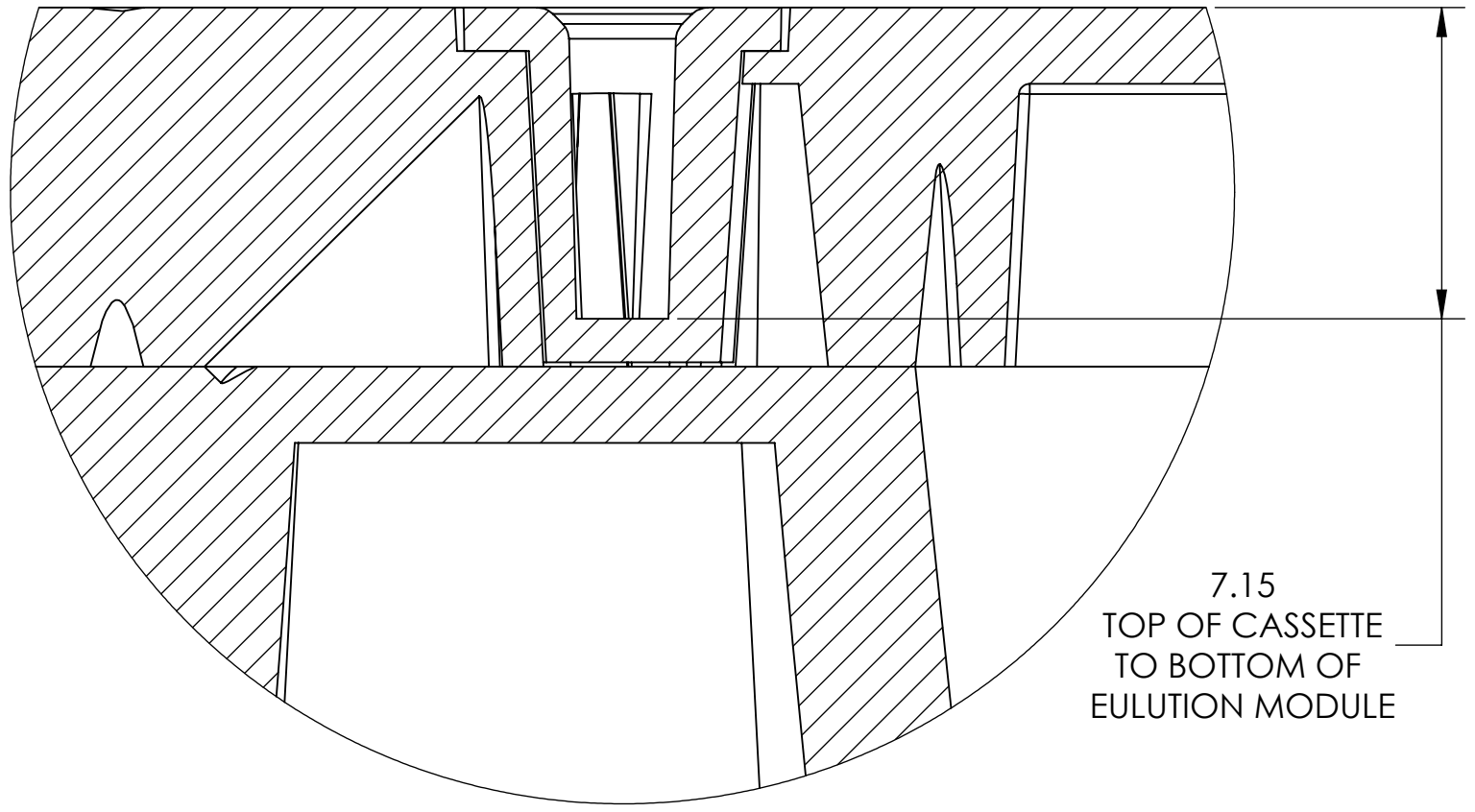
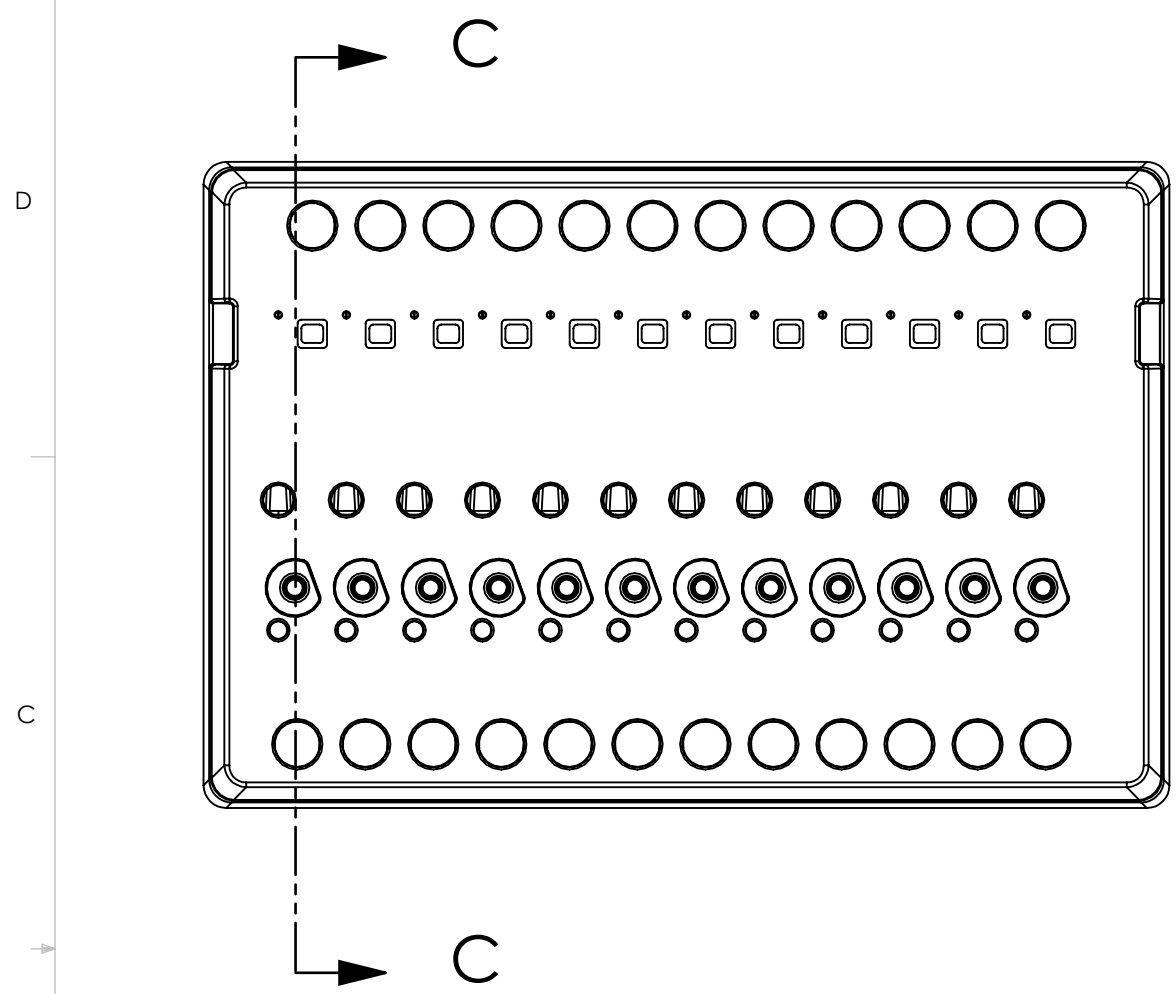
SECTION A-A  
SCALE 2 : 1

15.40  
BOTTOM OF WELL  
TO BOTTOM OF  
CASSETTE

UNLESS OTHERWISE SPECIFIED: DIMENSIONS ARE IN INCHES TOLERANCES ANGULAR: $\pm .5^\circ$ TWO PLACE DECIMAL: $\pm .01$ THREE PLACE DECIMAL: $\pm .005$	DRAWN	JDT	10/29/14	
	CHECKED			
PROPRIETARY AND CONFIDENTIAL THE INFORMATION CONTAINED IN THIS DRAWING IS THE SOLE PROPERTY OF FIKST. ANY REPRODUCTION IN PART OR AS A WHOLE WITHOUT THE WRITTEN PERMISSION OF FIKST IS PROHIBITED.	MATERIAL			TITLE: HT CASSETTE ASM
	FINISH			SIZE PART NO. REV <b>B</b> 1026-0250 1
DO NOT SCALE DRAWING	CAD FILE:			SCALE: 1:2 SHEET 1 OF 3

8 7 6 5 4 3 2 1

8 7 6 5 4 3 2 1



SECTION C-C  
SCALE 2 : 1

DETAIL D  
SCALE 6 : 1

7.15  
TOP OF CASSETTE  
TO BOTTOM OF  
ELUTION MODULE

15.60  
BOTTOM OF ELUTION  
MODULE TO BOTTOM  
OF CASSETTE

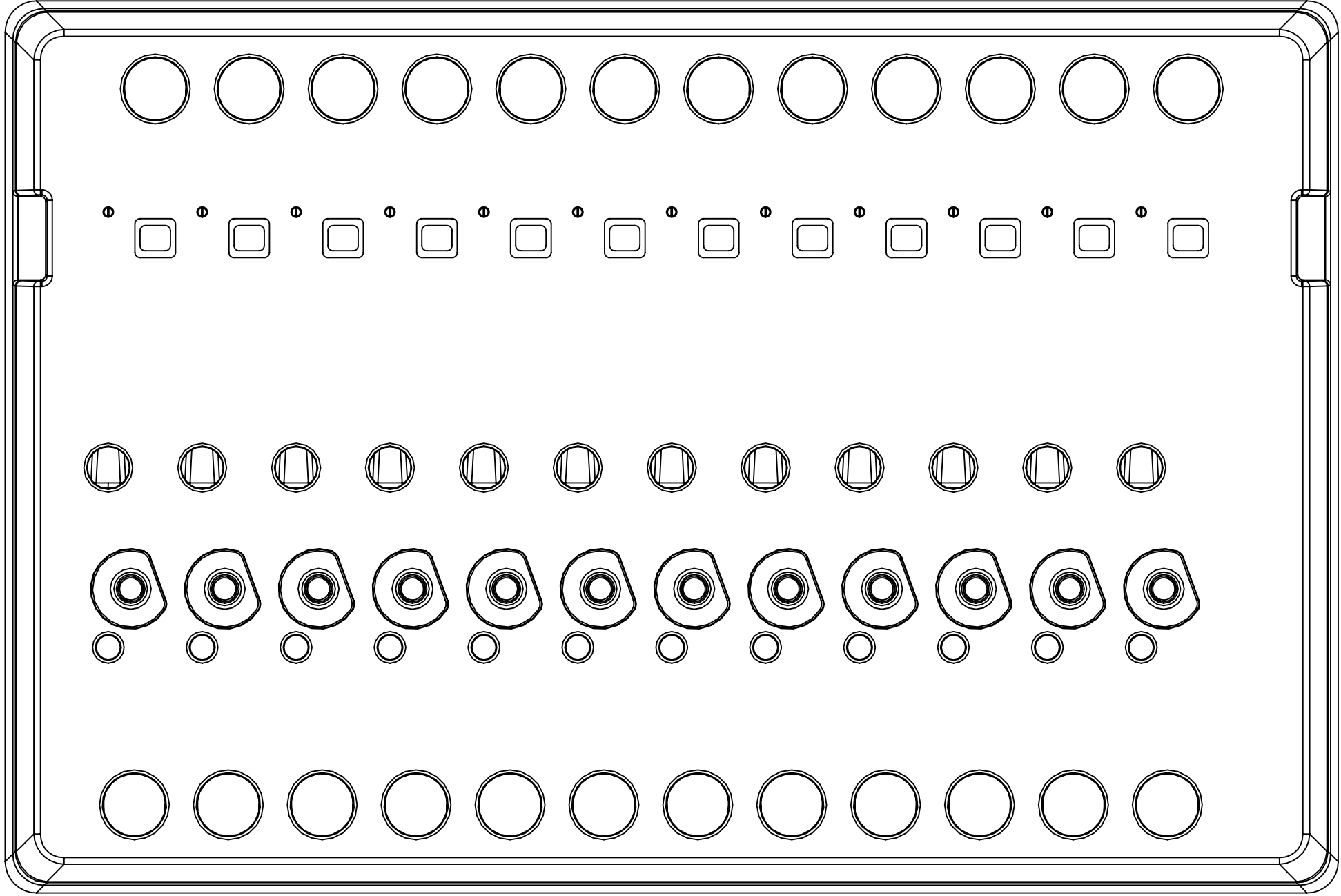
UNLESS OTHERWISE SPECIFIED: DIMENSIONS ARE IN INCHES TOLERANCES ANGULAR: $\pm .5^\circ$ TWO PLACE DECIMAL: $\pm .01$ THREE PLACE DECIMAL: $\pm .005$		NAME	DATE	
DRAWN	JDT	10/29/14	TITLE: HT CASSETTE ASM	
CHECKED				SIZE PART NO. REV <b>B</b> 1026-0250 1
DO NOT SCALE DRAWING CAD FILE:		SCALE: 1:2		SHEET 2 OF 3

PROPRIETARY AND CONFIDENTIAL  
THE INFORMATION CONTAINED IN THIS  
DRAWING IS THE SOLE PROPERTY OF  
FIKST. ANY REPRODUCTION IN PART  
OR AS A WHOLE  
WITHOUT THE WRITTEN PERMISSION OF  
FIKST IS PROHIBITED.

8 7 6 5 4 3 2 1

8 7 6 5 4 3 2 1

D  
C  
B  
A



8 7 6 5 4 3 2 1

UNLESS OTHERWISE SPECIFIED: DIMENSIONS ARE IN INCHES TOLERANCES ANGULAR: ± .5° TWO PLACE DECIMAL: ± .01 THREE PLACE DECIMAL: ± .005		NAME	DATE
	DRAWN	JDT	10/29/14
	CHECKED		



PROPRIETARY AND CONFIDENTIAL  
THE INFORMATION CONTAINED IN THIS  
DRAWING IS THE SOLE PROPERTY OF  
FIKST. ANY REPRODUCTION IN PART  
OR AS A WHOLE  
WITHOUT THE WRITTEN PERMISSION OF  
FIKST IS PROHIBITED.

MATERIAL	
FINISH	
DO NOT SCALE DRAWING	CAD FILE:

TITLE: HT CASSETTE ASM		
SIZE <b>B</b>	PART NO. 1026-0250	REV 1
SCALE: 1:2		SHEET 3 OF 3

D  
C  
B  
A